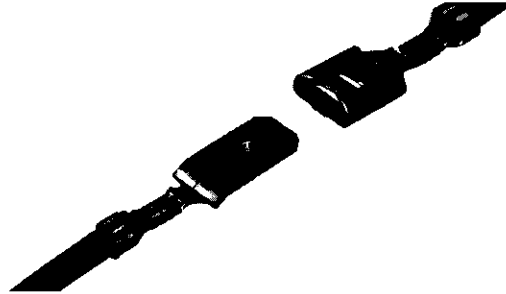


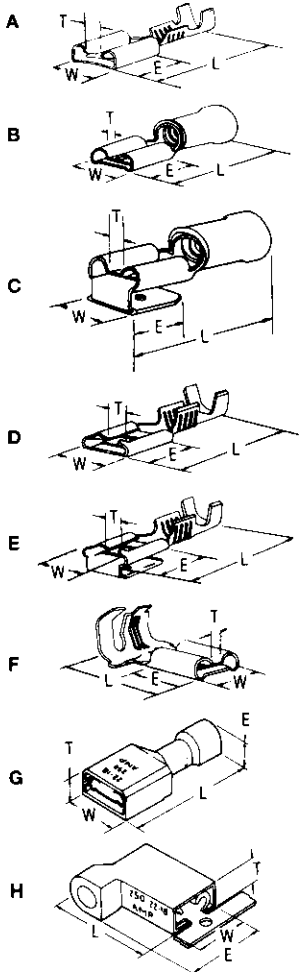
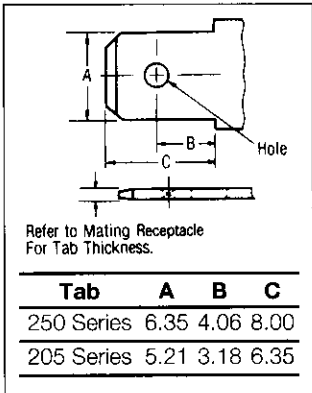
# Terminals and Splices

## FASTON\* Receptacles and Tabs

FASTON Terminals and Splices are the industry's broadest line of quick connect-disconnect receptacles and tab-type terminals. The terminals are available in both straight and flag-types and come in a variety of sizes. Sizes are designated numerically by a series number which corresponds to the width of the mating tab. There are four series "250", "205", "187" and "110".



### Receptacles



### "250" Series

Style	Wire Size		Wire Ins. Dia.	Fits Tab Thickness	Material /Finish	Dimensions				Part No.		Hand Tool No.
	AWG	mm <sup>2</sup>				W	L	E	T	S.T.	L.P.	
A	20-14	0.50-2.27	2.2-3.4	0.8	Brass	7.5	19.2	7.8	0.9	170031-1†	170054-1†	934678-1
	22-18	0.30-0.89	2.3-3.3	0.8	Brass	7.6	19.1	7.8	2.3	170183-1	—	90166-1
					Brass/Tin	—	—	—	—	170183-2	170187-2	
	18-14	0.75-2.27	2.5-4.3	0.8	Brass	7.6	18.9	7.8	1.7	170213-1	—	—
					Brass/Tin	—	—	—	—	170213-2	—	—
	18-14	0.75-2.27	3.1-3.6	0.8	Brass/Tin	7.6	19.2	7.8	1.7	41274	41729	755336-1
16-12	1.25-3.37	5.3-6.7	0.8	Brass/Tin	7.6	20.8	7.8	1.7	41728	42021	47094	
—	1.75-5.27	3.0-5.0	0.8	Brass/Tin	7.6	19.6	7.8	1.7	170224-2	—	—	
B	22-18	0.25-1.04	3.3 Max.	0.8	Brass/Tin	7.6	21.3	7.8	1.7	—	170603-1	—
					Nylon-Red	—	—	—	—	—	170603-2	—
					Phos.Brz./Tin	—	—	—	—	—	—	—
16-14	1.04-2.63	4.1 Max.	0.8	Brass/Tin	7.6	21.3	7.8	1.7	—	170604-1	—	
				Nylon-Blue	—	—	—	—	—	—	90009-8	
Phos.Brz./Tin	—	—	—	—	—	—	—	—	170604-2	—		
Nylon-Blue	—	—	—	—	—	—	—	—	—	—		
C	—	1.00-2.50	4.1 Max.	0.8	Brass/Tin	7.6	21.2	7.7	1.6	—	160463-2	47387-7
E	18-14	0.75-2.27	3.1-4.3	0.8	Brass	7.6	19.6	7.8	2.9	42741-1	42806-1	720725-1
					Brass/Tin	—	—	—	—	—	—	
F††	18-12	0.75-3.37	2.8-5.3	0.8	Brass/Tin	8.1	17.0	7.8	3.1	41802	42232-3	720575-1
12-10	3.08-4.86	42563-2								—	—	
G	22-18	0.30-0.89	3.4 Max.	0.8	Brass/Tin	9.4	21.7	—	5.2	2-520183-2	2-520184-2	90390-3*
					Nylon-Red	—	—	—	—	—	—	—
16-14	1.25-2.27	4.1 Max.	0.8	Brass/Tin	—	—	—	5.7	3-350819-2	3-350820-2	90391-3*	
Nylon-Blue	—	—	—	—	—	—	—	—	—	—	—	
H	22-18	0.30-0.89	4.2 Max.	0.8	Brass/Tin	9.8	16.1	14.7	5.0	2-520128-2	2-520129-2	90390-3*
					Nylon-Red	—	—	—	—	—	—	—
16-14	1.25-2.27	4.7 Max.	0.8	Brass/Tin	—	—	—	—	3-520132-2	3-520133-2	90391-3*	
Nylon-Blue	—	—	—	—	—	—	—	—	—	—	—	

†With lance. ††Hermetic Terminals(For internal use only.) \*Die insert Number for Hand Tool #58078-3.

### "205" Series

A	22-18	0.30-0.89	2.2-3.1	0.5	Brass/Tin	6.4	15.7	6.4	1.3	170122-2	170123-2	90157-1
			2.2-3.2	0.8	Brass/Tin	6.4	15.7	6.4	0.7	170181-2	170182-2	—
			—	0.5	Brass/Tin	6.4	15.7	6.4	0.7	—	—	755336-1
D	22-18	0.30-0.89	2.2-3.2	0.5	Brass/Tin	6.4	15.6	6.4	1.3	42710-2	60557-1†	90157-1
A	18-14	0.75-2.27	3.3-4.6	0.8	Brass	6.4	15.7	6.4	0.7	170179-1	170180-1	409774-1
					Brass/Tin	—	—	—	—	—	—	
F	20-14	0.50-2.27	2.8-4.3	0.8	Brass	6.4	13.5	6.4	0.6	42234-1	—	—
					Brass/Tin	—	—	—	—	—	—	—

†No preform.